

# RESISTOR COVERS

L

**External appearance**

**L:** 90° Elbow type  
**S:** Straight  
**X:** 102° Elbow Type  
**V:** 120° Elbow type (long)  
**Y:** 120° Elbow type (short)

B

**Resistance**

**01:** 1 K $\Omega$   
**05:** 5 K $\Omega$   
**10:** 10 K $\Omega$

05

E

**Adaptable plug terminal**

**E:** For terminal nut or integrated terminal  
**F:** For terminal stud

H

P

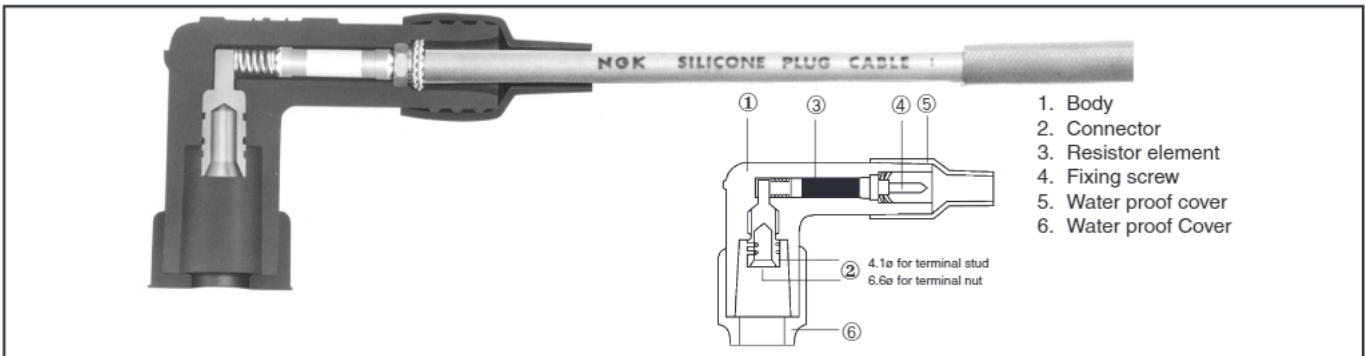
K

**Accessory**



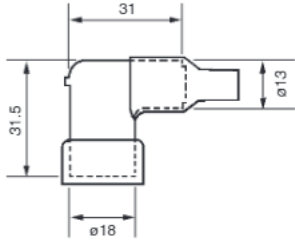

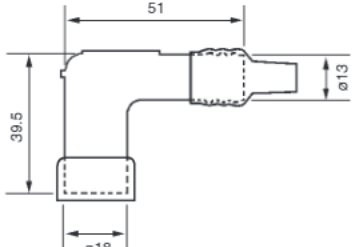
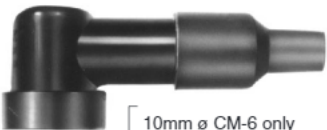
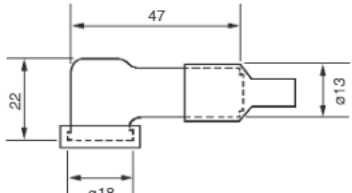

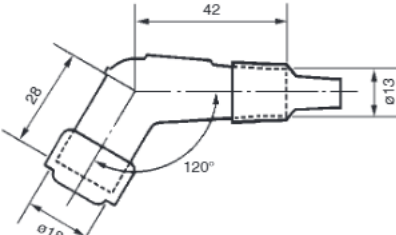

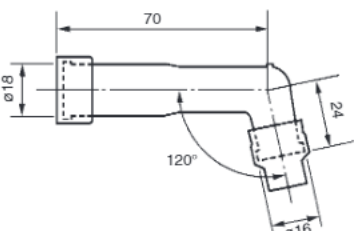

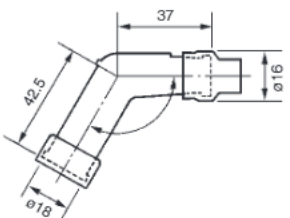

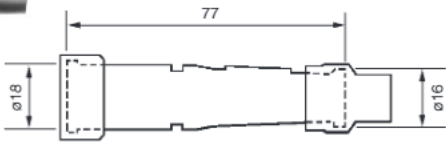
**H:** Compact type  
**P:** With Special Water-Proof Cover  
**K:** With Silicone Water-Proof Cover  
**M:** Rubber Sheathed  
**F:** For 5 mm  $\phi$  high tension cord  
**Y:** With handle  
**Z:** Special shape

**Adaptable plug thread size**








**B:** 14mm  $\phi$  thread  
**D:** 10 & 12mm  $\phi$  thread  
**Z:** 10, 12 & 14mm  $\phi$  thread

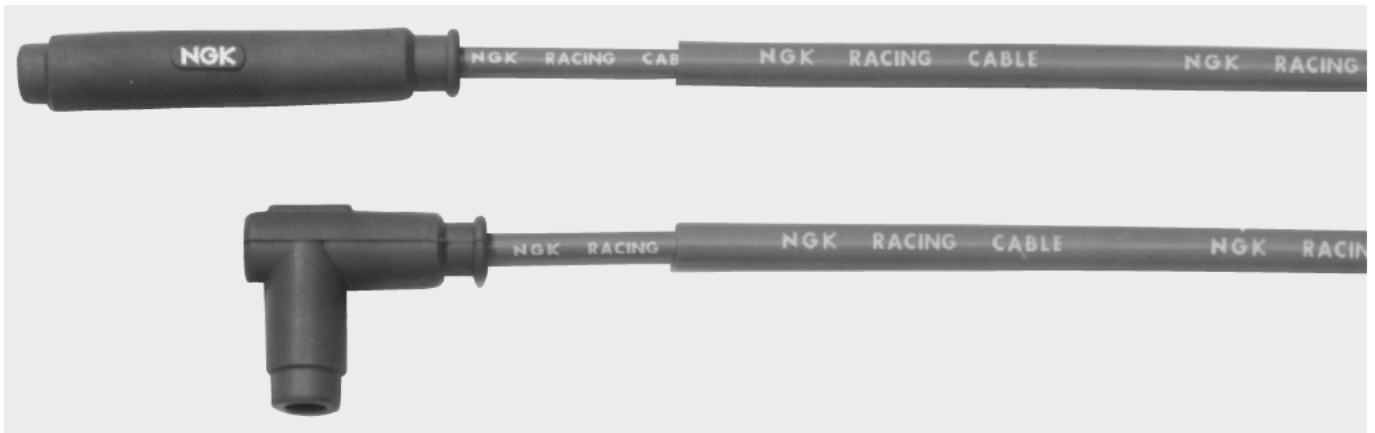


Configuration (applicable plug thread dia, body material)	Unit: mm	Part No:	Stock No:	K $\Omega$
<p>LE, LB type: 14mm <math>\phi</math> thread LD type: 10 &amp; 12mm <math>\phi</math> thread Phenolic Resin</p> <p>&lt; Excluding LB<math>\circ</math>EZ type &gt;</p> <p>14mm <math>\phi</math> thread Phenolic Resin</p> <p>&lt; LB<math>\circ</math>EZ &gt;</p>		LB01E	8011	1
		LB05E	8031	5
		LB01EP	8328	1
		LB05EP	8020	5
		LB05F	8051	5
		LB05FP	8030	5
		LB05EZ	8744	5
		LB05EZA	8769	5
LB10E	8349	10		
		LZFH	8381	No resistor

Configuration (applicable plug thread dia, body material) Unit: mm	Part No:	Stock No:	
 <p>LB type: 14mm <math>\phi</math> thread</p> 	LB10EH	8351	10
 <p>10 &amp; 12mm <math>\phi</math> thread Phenolic Resin</p> 	LD05F LD05FP	8060 8070	5
 <p>10mm <math>\phi</math> CM-6 only Phenolic Resin</p> 	LC05EFK	8050	5
 <p>YB type: 14mm <math>\phi</math> thread</p> 	YB05F YB05FP	8082 8448	5
 <p>XB type: 14mm <math>\phi</math> thread XD type: 10 &amp; 12mm <math>\phi</math> thread</p> 	XB05F XB05FP XD05F XD05FP	8062 8435 8072 8641	5
 <p>VB type: 14mm <math>\phi</math> thread VD type: 10 &amp; 12mm <math>\phi</math> thread Phenolic Resin</p> 	VB05E VB05F VB05FP VD05F VD05FP	8408 8032 8413 8052 8429	5
 <p>SB type: 14mm <math>\phi</math> thread SD type: 10 &amp; 12mm <math>\phi</math> thread</p> 	SB05E SB05F SB05FP SD05F SD05FP	8374 8080 8386 8022 8325	5

# RESISTOR COVERS

Configuration (applicable plug thread dia, body material) Unit: mm	Part No:	Stock No:	
 <p>14mm <math>\phi</math> thread Rubber sheathed</p>	LB05EMH	8338	5
 <p>14mm <math>\phi</math> thread Rubber sheathed (Silicon)</p>	TB05EM	8955	5
 <p>14mm <math>\phi</math> thread Rubber sheathed</p>	TB05EMA (Blk) TB05EMA (Grn)	8636 8403	5
 <p>14mm <math>\phi</math> thread Rubber sheathed (Silicon)</p>	LBER(Blue)	8308	5
 <p>14mm <math>\phi</math> thread Rubber sheathed (Silicon) For racing spark plug R6120-<math>\phi</math> only</p>	TRS1225	8927	5
 <p>14mm <math>\phi</math> thread Rubber sheathed (Silicon) For racing spark plug R5300A-<math>\phi</math> only</p>	TRS1408F	8899	5



With an outer insulator of rugged high performance silicone, and an inner core of solid copper wire strands, these new racing wire sets from NGK will help you get to the winner's circle. Connected with NGK resistor covers in either straight or 90° configurations, these wires will fit most applications for snowmobiles, watercraft, motorcycles and karts. The resistor cover comes equipped with a 5k ohm ceramic resistor for excellent defense against RFI (radio frequency interference) which can disrupt electronic ignition performance and lead to misfire.

**NEW CONNECTOR PUTS END TO HOOKUP HASSLES**



NGK also knows what a hassle it can be to connect new wires to the stock CDI ignition coil. We're making that a whole lot easier with this new in-line wire connector. Simply insert the lead from the ignition coil unit in one end, the new NGK wire end in the other, screw the two pieces together, and you've got yourself a watertight finished piece! Made of high-impact plastic, this handy unit will solve all wire connection problems.

**90° Resistor Covers**

Part#	Stock #	Cap Type	Wire Length
CR2	.8048	Removable	50 cm
CR5	.8515	Removable	100 cm
CR4	.8054	Solid	50 cm
CR6	.8736	Solid	100 cm

**Straight Resistor Covers**

Part#	Stock #	Cap Type	Wire Length
CR1	.8035	Removable	50 cm
CR3	.8089	Solid	50 cm

**Splicer**

Part#	Stock #
J-1	.8083

