



ODP-AGM75 86

(75/86-705)

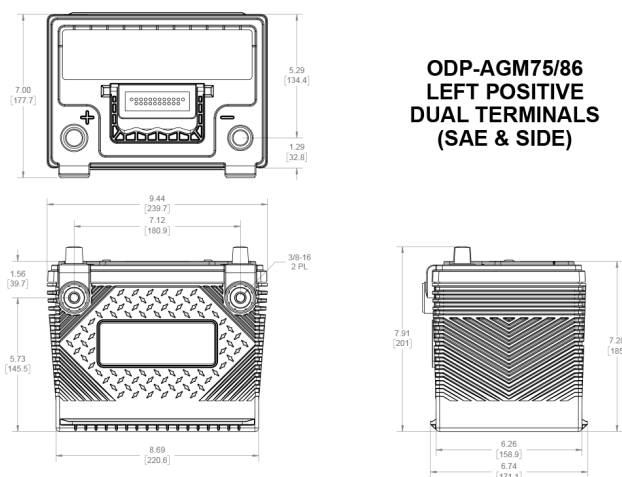
Battery Type

- With SAE posts
- Absorbed Glass Mat (AGM) with Thin Plate Pure Lead (TPPL)
- Advanced dual purpose battery for engine start and deep cycle use

Power and Performance

Voltage	12V
Pulse (5 second) Hot Cranking Amps (PHCA)	1100A
Cold Cranking Amps (CCA)	708A
HCA	875A
MCA	760A
20Hr Nominal Capacity (Ah)	49Ah
10Hr Nominal Capacity (Ah)	45Ah
Reserve Capacity Minutes	89 mins
Terminal	SAE & Side
Torque Spec in-lbs (Nm max)	60 (6.8) side only
Internal Resistance (mΩ)	2.8 mΩ
Short Circuit (A)	2200A
Recommended Min. Charging Current (A)	4.5A
UPC	635241140484

Drawings & Terminal Position



Dimensions and Weight

Length	9.5 in / 241 mm
Width	6.8 in / 173 mm
Height (terminals included)	7.9 in / 201 mm
Height (container)	7.4 in / 188 mm
Weight	43.4 lbs / 19.7 kg

Handling and Storage

- Can be mounted or stored in any orientation except inverted
- 2-years storage life at 77°F (25°C) without needing to charge. Recharge when the OCV is <12.2V (50% SOC).
- Classified as non-spillable and approved as non-hazardous cargo for ground, sea and air transportation in accordance with the requirements of IMDG (International Maritime code for Dangerous Goods) and ICAO (International Civil Aviation Organisation)

Temperature

Operating temperature range	-40°F / -40°C to 140°F / +60°C
Optimum storage temperature	68°F / +20°C

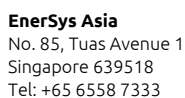
Accreditations

The management systems governing the manufacture of this product are ISO 9001 and ISO 14001 certified.

*Cold Start Performance S.A.E J537 Apr 2016

Charging and Self-Discharge

Cyclic Charge Voltage	14.4 - 14.8V @ 25°C
Float Charge Voltage	13.5 - 13.8V @ 25°C
Charger voltage at 68°F (20°C)	14.4V to 14.8V
Self-discharge per month at 68°F (20°C)	1.25%
Self-discharge per month at 104°F (40°C)	5%
80% depth of discharge cycles	400



Want more info?
Scan code to access
the ODYSSEY® Battery
Literature Library

